

TECHNICAL DATA SHEET



Product Code: 136416

Product Description: iflo Herita Slipper Bath 2TH
1500x750mm

Product Specification

Material:
5mm double skinned acrylic



Additional Information

Always remove film and inspect before installation

Do not clean with abrasive cleaning products

Capacity 160 L

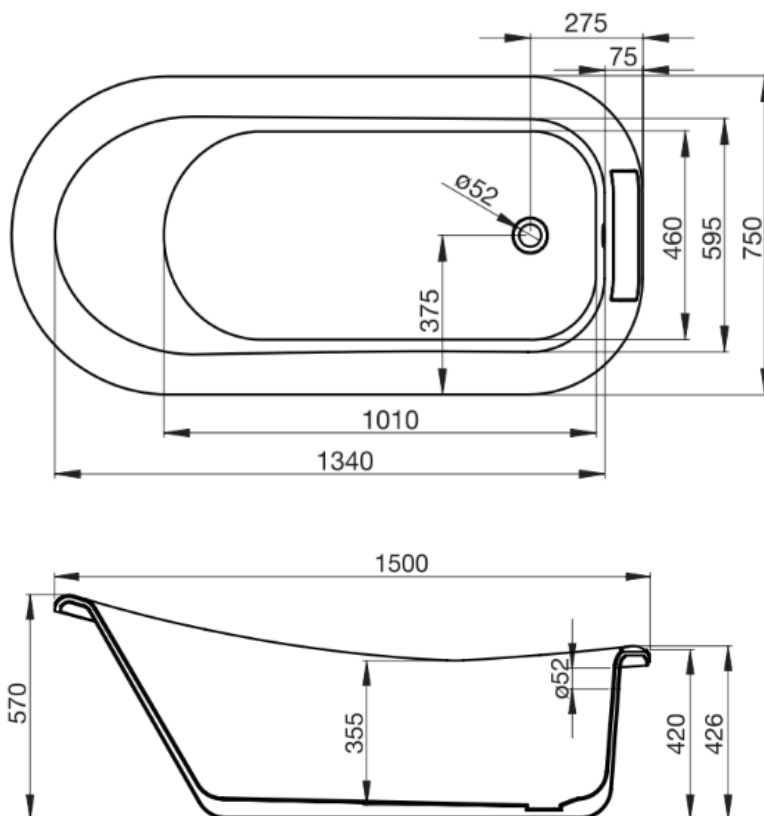
Roll top feature

Chrome feet and waste kit available separately on the following codes:

136417 - Chrome bath feet

524557 - Freestanding bath waste kit

Taps, waste and feet sold separately



Contained within this specification sheet is believed to be correct and complete at the time of creation. All photographs / drawings are as a not necessarily represent the products available. Travis Perkins PLC reserves the right to change product details and price without prior 10/2017]