

TECHNICAL DATA SHEET



Product Code: 101543

Product Description: iflo Reno Basin Mixer Tap (No Waste)

Product Specification

Material:

Solid brass with a duragleam chrome finish

Fittings:

Brass back nuts

Systems:

Suitable for high and low pressure systems

Suitable for Gravity fed systems

Suitable for Unvented systems

Suitable for Combi boilers



Additional Information

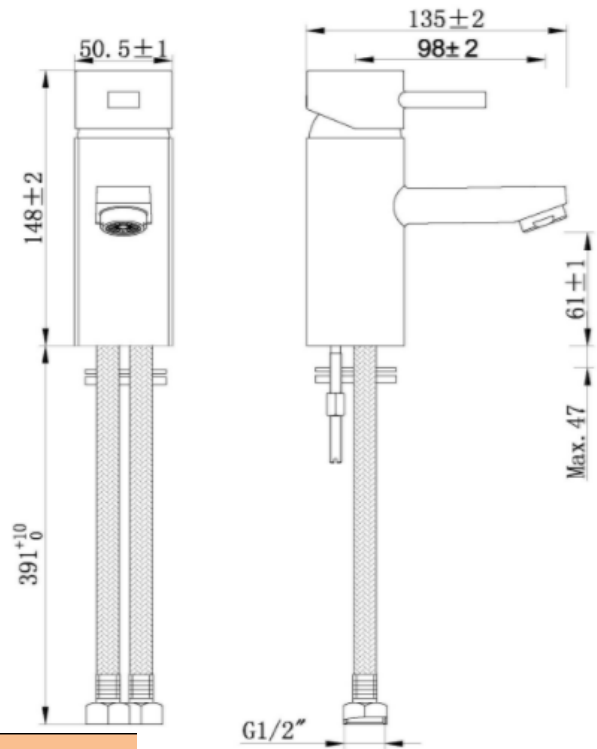
Always inspect before installation

Do not clean with abrasive cleaning products

WRAS approved

Eco click cartridge to aid water saving

Lever style handles for ease of use



Pressure (bar)	Flow rate (l/m)					
	Hot		Cold		Mixer	
	Eco	Full open	Eco	Full open	Eco	Full open
0.1	1.75	2.51	1.12	2.32	1.64	2.78
0.2	2.82	3.96	2.12	3.86	2.62	4.58
0.3	3.46	5.12	2.83	4.96	3.32	5.72
0.4	4.04	6.06	3.34	5.84	3.88	6.95
0.5	4.63	6.84	3.76	6.62	4.42	7.84
1.0	6.74	9.82	5.62	9.60	6.46	11.38
1.5	8.22	11.75	7.38	11.51	8.02	14.34
2.0	9.61	13.47	8.46	13.32	9.21	16.12
3.0	11.84	16.91	10.46	16.74	11.33	19.68
4.0	13.47	19.49	12.16	18.93	13.06	22.28
5.0	15.19	22.34	14.12	21.72	14.56	25.34



'The information contained within this specification sheet is believed to be correct and complete at the time of creation. All photographs / drawings are as a guide only and do not necessarily represent the products available. Travis Perkins PLC reserves the right to change product details and price without prior notice. E&OE.' [10/2017]