

TECHNICAL DATA SHEET



Product Code: 724782

Product Description: iflo Torno Basin Taps

Product Specification

Material:
Solid brass with a duraglead chrome finish
Ceramic lever handles



Fittings:
Brass back nuts

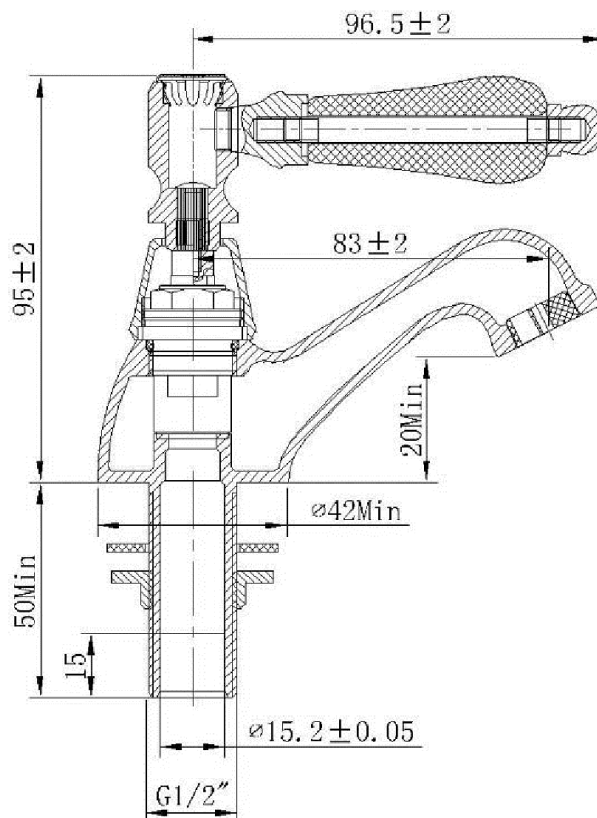
Systems:
Suitable for high and low pressure systems
Suitable for Gravity fed systems
Suitable for Unvented systems
Suitable for Combi boilers

Additional Information

WRAS approved
Coordinating shower available iflo Penrose 683179

Zoom in for clearer image

Pressure (bar)	Hot	Cold
0.1	4.92	4.51
0.2	7.74	7.52
0.3	9.86	9.58
0.4	11.54	11.23
0.5	12.98	12.66
1	17.77	17.19
1.5	21.78	21.20
2	25.54	25.22
3	31.23	30.66
4	36.12	35.82
5	40.69	40.12



'The information contained within this specification is a guide only and do not necessarily represent the product. E&OE.' [04/2013]



Photographs / drawings are as a guide only and price without prior