

TECHNICAL DATA SHEET



Product Code: 604607

Product Description: iflo Tatton Monobloc Basin Mixer

Product Specification

Material:

Solid brass with a duraglam chrome finish

Fittings:

Brass back nuts

Systems:

Suitable for high and low pressure systems

Suitable for Gravity fed systems

Suitable for Unvented systems

Suitable for Combi boilers



Zoom in for clearer image

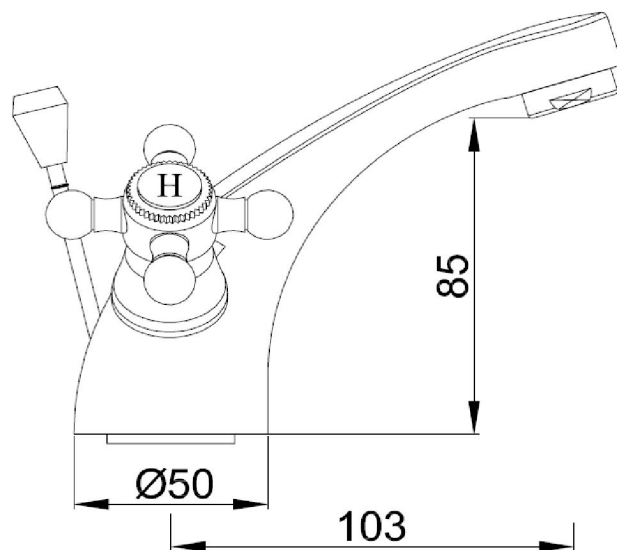
Additional Information

WRAS approved

Includes pop up waste

Compression turn valves (full turn)

Coordinating shower available iflo traditional 38698



| Pressure (bar) | Hot | Cold | Mixer |
|----------------|-------|-------|-------|
| 0.1 | 3.08 | 3.18 | 5.98 |
| 0.2 | 5.48 | 5.32 | 10.21 |
| 0.3 | 6.96 | 6.72 | 13.14 |
| 0.4 | 8.18 | 8.14 | 15.48 |
| 0.5 | 9.32 | 9.16 | 17.66 |
| 1 | 12.61 | 12.05 | 24.12 |
| 1.5 | 15.19 | 14.52 | 29.02 |
| 2 | 17.77 | 17.26 | 34.26 |
| 3 | 22.64 | 22.14 | 43.92 |
| 4 | 25.79 | 25.48 | 49.87 |
| 5 | 28.94 | 28.77 | 56.34 |



'The information contained within this specification sheet is believed to be correct and complete at the time of creation. All photographs / drawings are as a guide only and do not necessarily represent the products available. Travis Perkins PLC reserves the right to change product details and price without prior notice. E&OE.' [04/2013]

TECHNICAL DATA SHEET



'The information contained within this specification sheet is believed to be correct and complete at the time of creation. All photographs / drawings are as a guide only and do not necessarily represent the products available. Travis Perkins PLC reserves the right to change product details and price without prior notice. E&OE.' [04/2013]