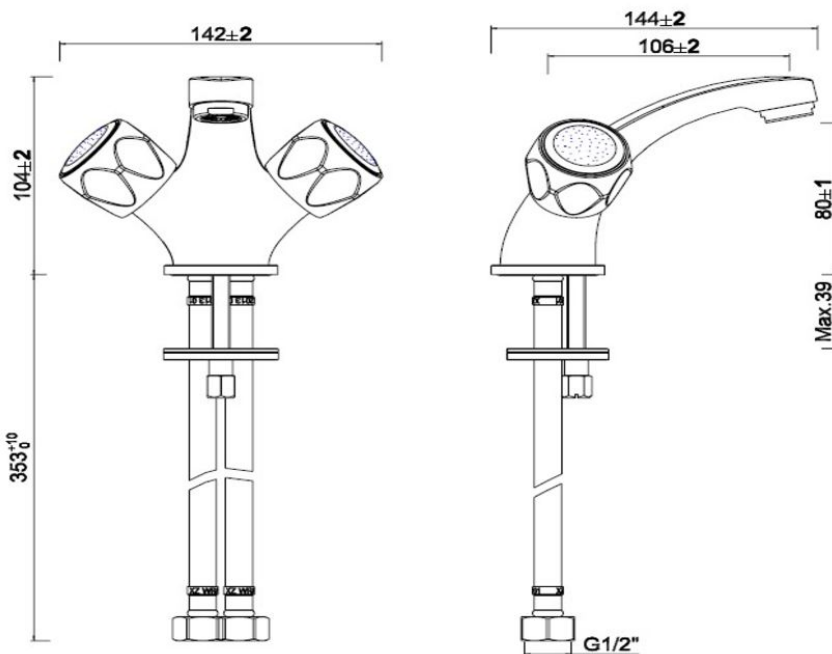


# technical specification

## Base Basin Mixer Tap (No Waste)

<b>Product code</b>	101221
<b>Material</b>	Solid brass with a duragleam chrome finish
<b>Instruction Manual</b>	<a href="#">Click here for fitting instructions</a>
<b>Additional Information</b>	<p>2 year guarantee</p> <p>Systems:                      Suitable for high and low pressure systems                      Suitable for Gravity fed systems                      Suitable for Unvented systems                      Suitable for Combi boilers</p> <p>Use at water supply pressures of 0.1bar min and 7. Max</p> <p>Do not use harsh or abrasive chemicals to clean</p>



Pressure (bar)	Flow rate (l/m)		
	Hot	Cold	Mixer
0.1	3.70	3.28	6.74
0.2	5.18	5.04	9.27
0.3	6.40	6.24	11.46
0.4	7.46	7.20	13.34
0.5	8.28	8.16	15.32
1.0	11.24	11.26	21.10
1.5	14.01	14.36	26.36
2.0	16.50	16.28	30.64
3.0	20.24	20.40	38.24
4.0	23.72	24.04	44.32
5.0	26.42	26.95	50.46