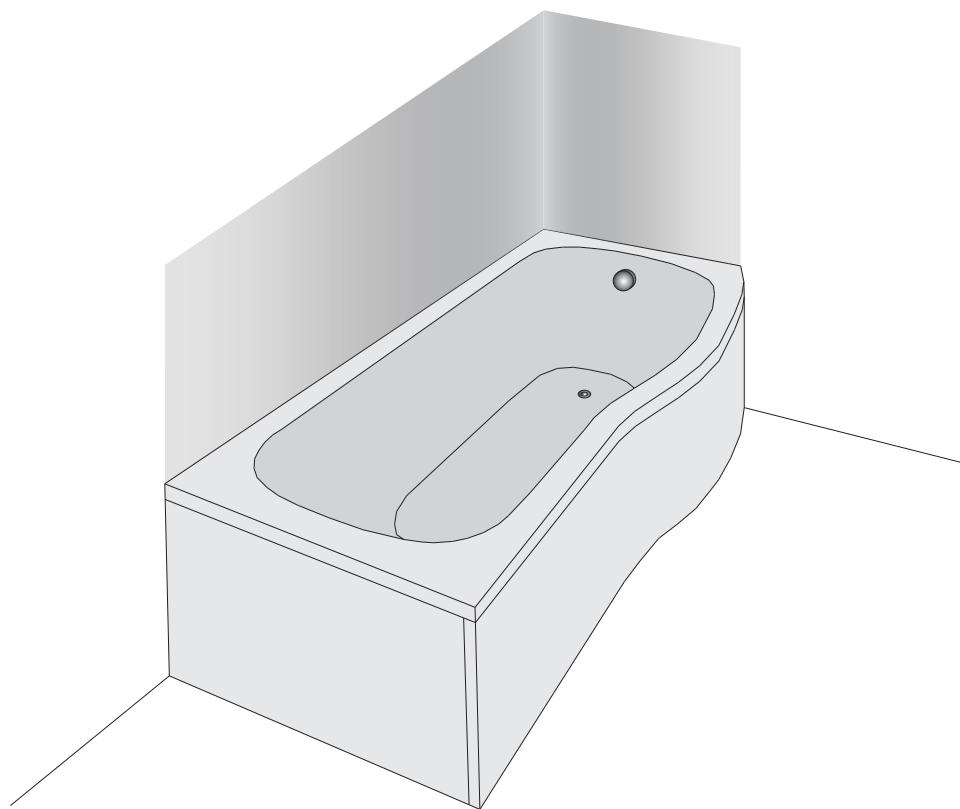


P Shaped Baths



2 Person
Installation

Installation Manual

Please keep these instructions for future reference

Contents

- Page 3 - Parts list
- Page 4 - Legs assembly
- Page 5 - Installing the legs and levelling the bath
- Page 6 - Securing the legs
- Page 7 - Installing the side/end panel A
- Page 8 - Installing the side/end panel B
- Page 9 - Installing the side/end panel C
- Page 10 - Securing the side panel
- Page 11 - The finished bath and guarantee

Safety

1. Care should be taken when drilling into walls and floors to avoid any hidden pipes or wires.
2. Wear safety glasses when drilling
3. Always wear gloves when handling fibre glass products
4. Keep children from touching the outside of fibre glass products as they can cause skin irritations

Maintenance

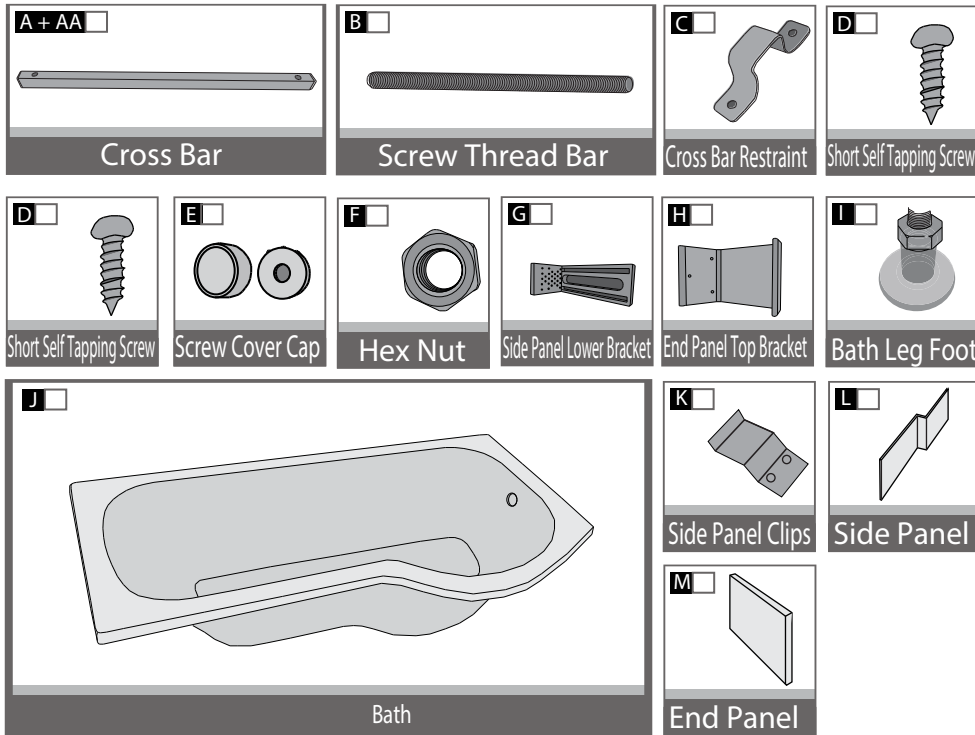
Cleaning and care

Warning. Many household cleaners contain abrasive and chemical substances and should not be used for cleaning painted, plated or plastic fittings. These finishes should be cleaned with a mild washing up detergent and the wiped dry using a soft cloth.

Regular cleansing with a biodegradable cleanser prevents stubborn stains and ensures a clean and hygienic surface for many years. Do not use scouring or caustic cleansers under any circumstances. These can damage the surface finish of this product.

Use only the cleansers expressly specified for chrome.

Parts List



| Part code | Part Description | Quantity | Check |
|-----------|--------------------------|----------|-------|
| A | Cross Bar Small 600mm | 1 | |
| AA | Cross Bar Small 700mm | 2 | |
| B | Screw Thread Bar | 6 | |
| C | Cross Bar Restraint | 6 | |
| D | Short Self Tapping Screw | 30 | |
| E | Screw Cover Cap | 6 | |
| F | Hex Nut | 20 | |
| G | Side Panel Lower Bracket | 6 | |
| H | End Panel Top Bracket | 2 | |
| I | Bath Leg Foot | 6 | |
| J | Bath | 1 | |
| K | Side Panel Clips | 4 | |
| L | Side Panel | 1 | |
| M | End Panel | 1 | |

There are optional side and end panels available with this product.

These instructions also explain how these optional products should be fitted.

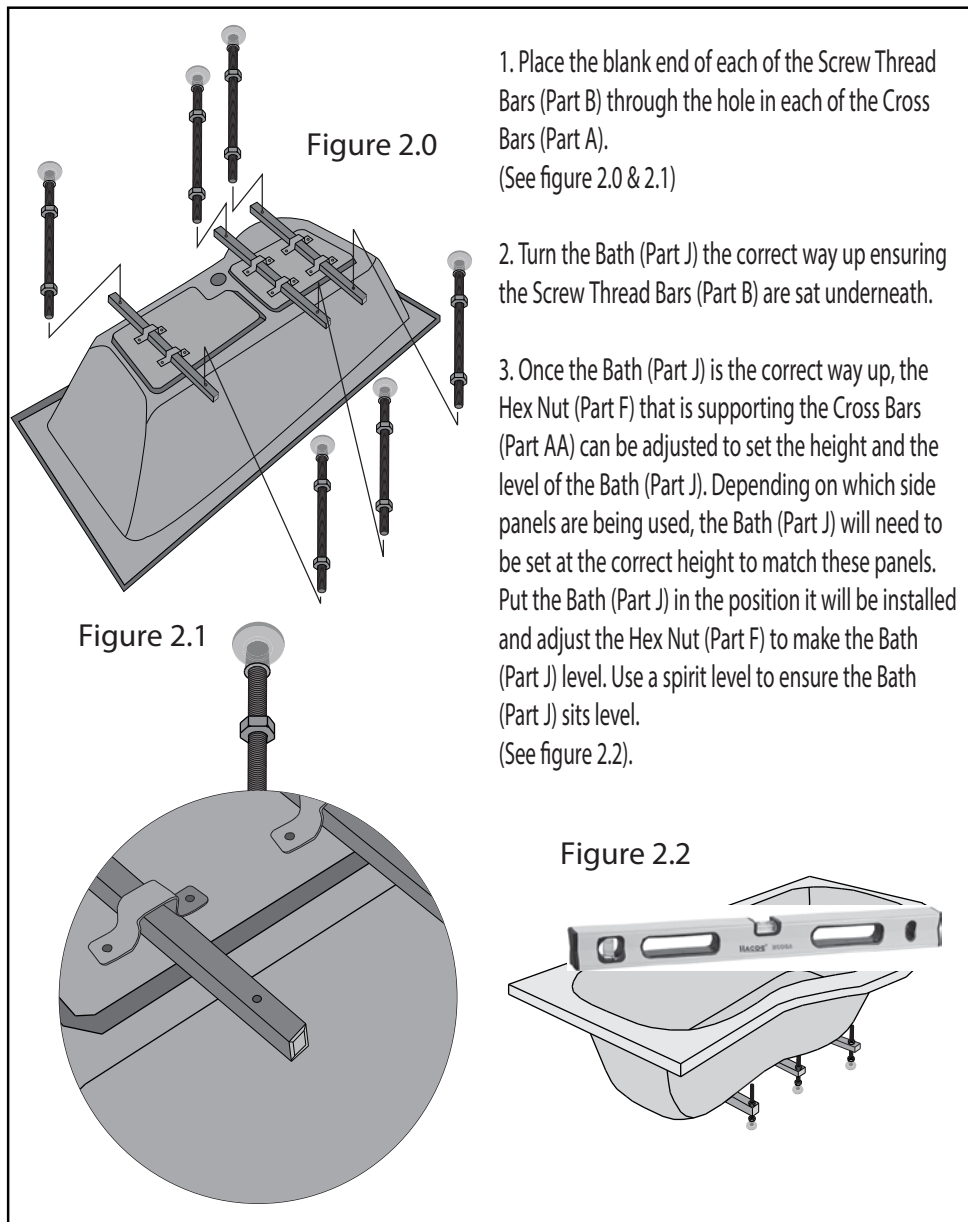
Note: There is a layer of film over the bath to protect it from scratches. This will need to be removed after the bath has been positioned but before it is fixed and sealed into place.

If product has 2 short and 1 long bar position the 2 short bars on the narrow end of the bath.

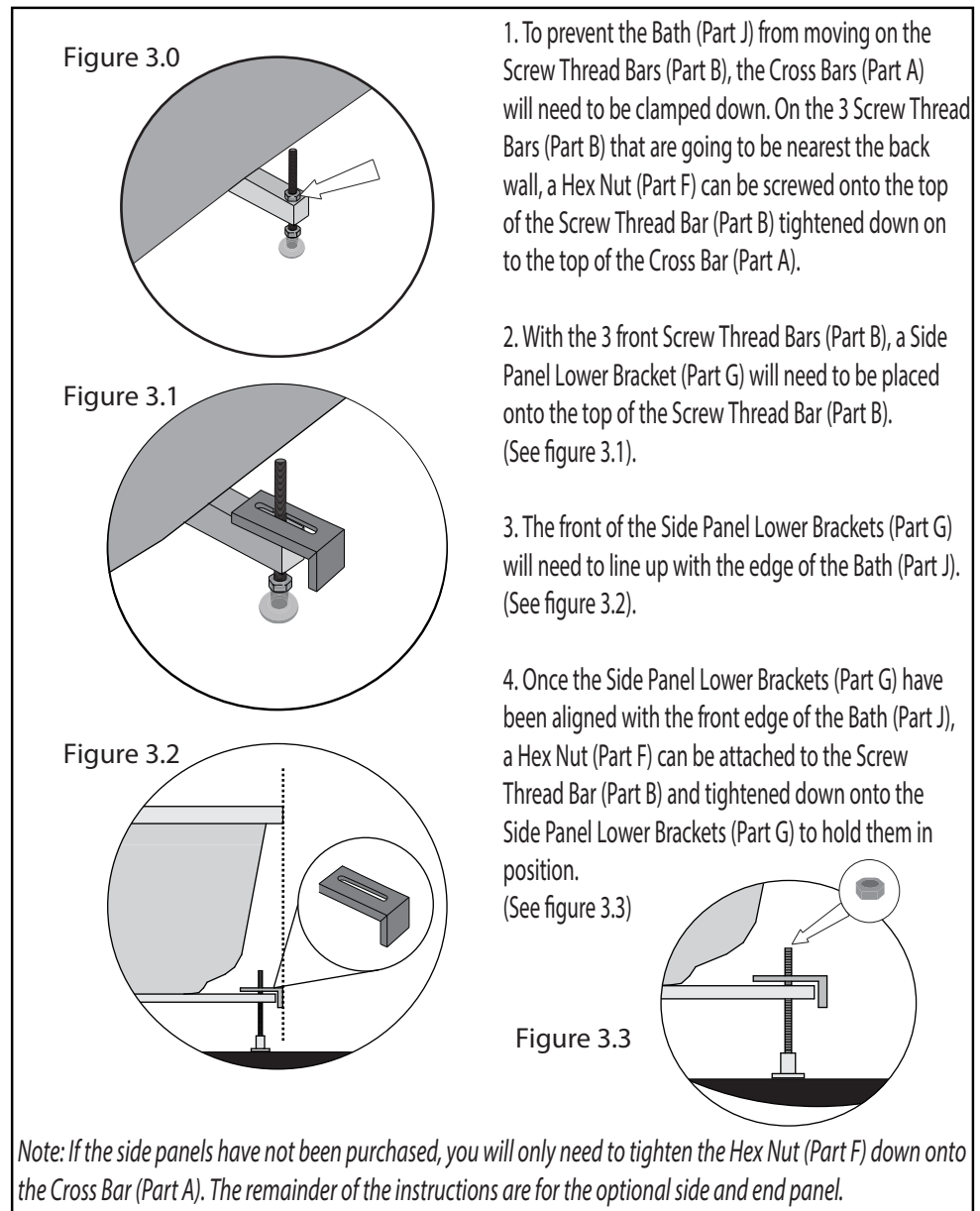
Legs assembly

- Turn the Bath (Part J) upside down and lay it on a soft surface to ensure there is no damage caused.
- Lay Cross Bars (Part A & AA) across the width of the bath (see fig 1.0) in approximately the positions shown. They will need to be placed on the raised area on the base of the bath as these are reinforced.
- Place the Cross Bar Restraints (Part C) over the Cross Bars (Part A & AA) and screw them into the raised areas of the bath using the Short Self Tapping Screws (Part D). (See figure 1.1)
- Attach 2 x Hex Nut (Part F) to each of the Screw Thread Bars (Part B), screwing them on far enough to be able to attach the Bath Leg Feet (Part I). (See figure 1.2)
- Screw one end of each of the Screw Thread Bars (Part B) the whole way onto the Bath Leg Feet (Part I). (See figure 1.3).
- Hold each of the Screw Thread Bars (Part B) vertically with the Bath Leg Foot (Part I) at the bottom. Tighten each of the lower Hex Nuts (Part F) down onto the top of the Bath Leg Feet (Part I). (see figure 1.4)

Installing the legs and levelling the bath



Securing the legs



Installing the end panel A

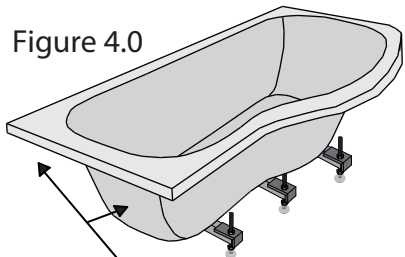
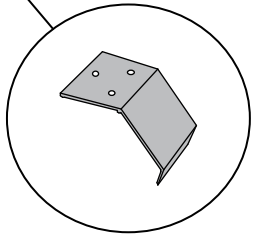


Figure 4.0

1. The End Panel Top Bracket (Part H) should be attached to the underside of the Bath (Part J) using the Short Self Tapping Screws (Part D). These screw straight into the underside of the edge of the Bath (Part J). 2 Of these need to be fitted to the end of the bath shown in Fig 4.0



2. The front of the End Top Bracket (Part H) should be positioned to hold the End Panel in alignment with the edge of the Bath (Part J) Fig 4.2

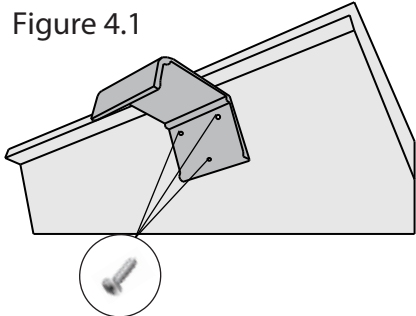


Figure 4.1

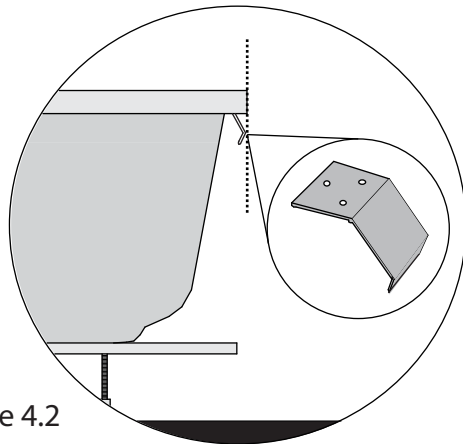


Figure 4.2

Installing the side panel B

Please ensure that the installation of the bath waste and taps is carried out before setting the Bath (Part J) into position and installing the side panels.

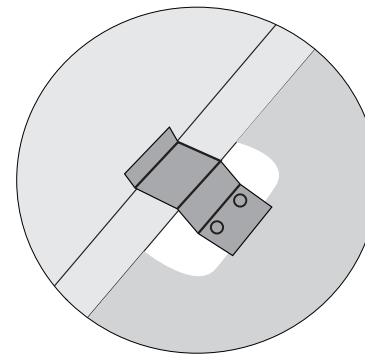


Figure 4.9

1. Place the Side Panel (part L) onto the underside of the bath (Part J) and Install 4 x End Panel Clips (Part K) with short self tapping screws (Part D). After all 4 are fitted back the screws off half a turn and remove the side panel (Part L) (See figure 4.9)

2. The Bath (Part J) can be pushed into the desired installation position and the Bath Leg Feet (Part I) can be attached to the floor (no screws are provided). (See figure 5.0)

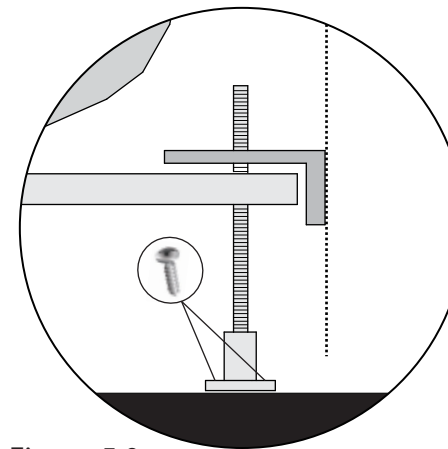


Figure 5.0

3. If an end panel is being used, 2 Side Panel Lower Brackets (Part G) will need to be screwed into the floor at the end of the Bath (Part J) in line with the top edge. This is to secure the bottom of the end panel in position. (See figure 5.1)

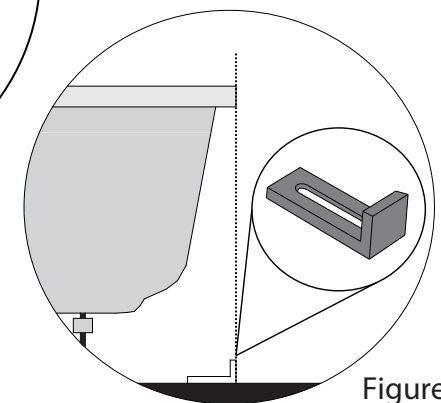
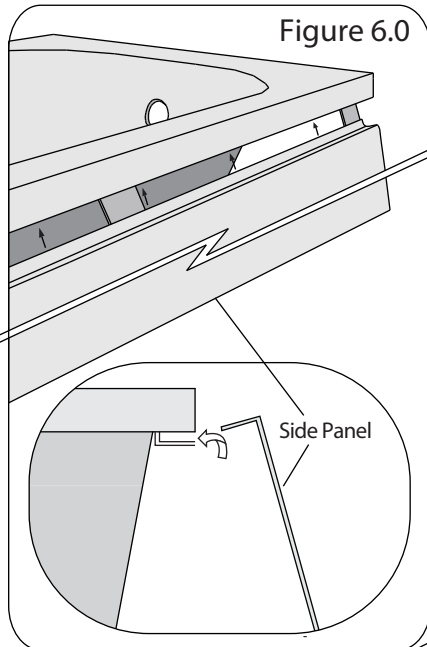


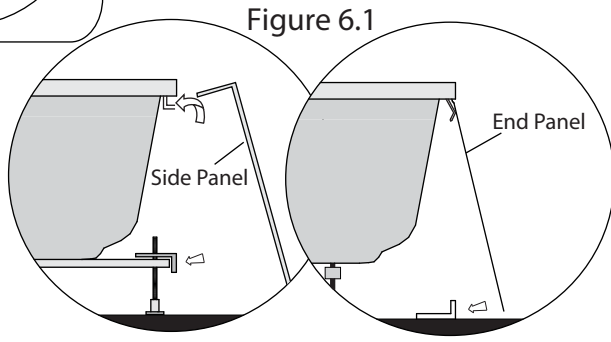
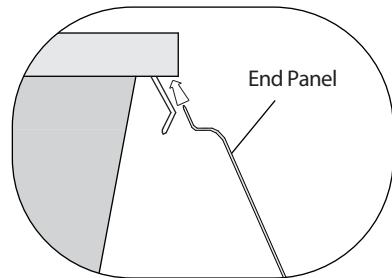
Figure 5.1

Installing the side panel C

At this point the clear film on the bath can be removed and it is recommended the Bath (Part J) is used once. While being used, ensure the Bath (Part J) does not wobble on its legs. This will help to ensure the sealant will not be pulled away from the wall when the user and the water is in the Bath (Part J). Make sure that after this use, the Bath (Part J) is still at the correct height for the side and end panels (if being used). Make sure the Bath (Part J) and adjacent wall are both clean and free from debris and dust. Apply the silicone using a standard sealant gun and smooth using a finger or the handle of a tea-spoon to get a flush water-tight finish.



1. The Side panel (Part L) and end panels (Part M) can now be fitted. Slide the top edge of the panels in first and ensure they are against the side panel lower brackets (Part G) (See figure 6.0 & 6.1)



Securing the side panel

1. The panels can then be screwed to the Side Panel Lower Brackets (Part G) using the Short Self Tapping Screws (Part D) and the Screw Cover Caps (Part E). (See figure 7.1)

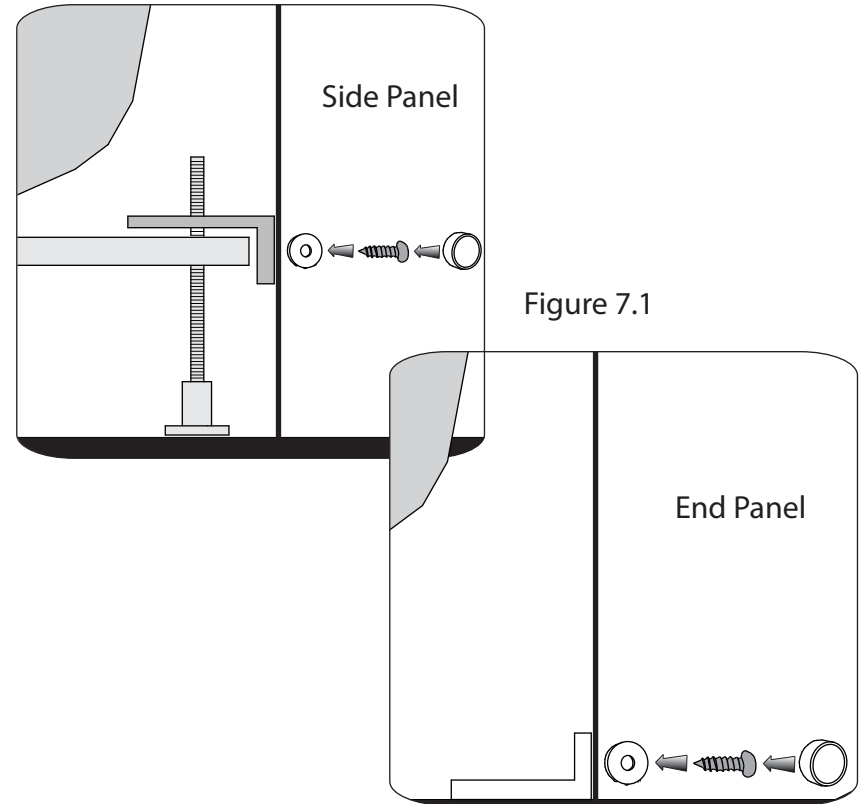
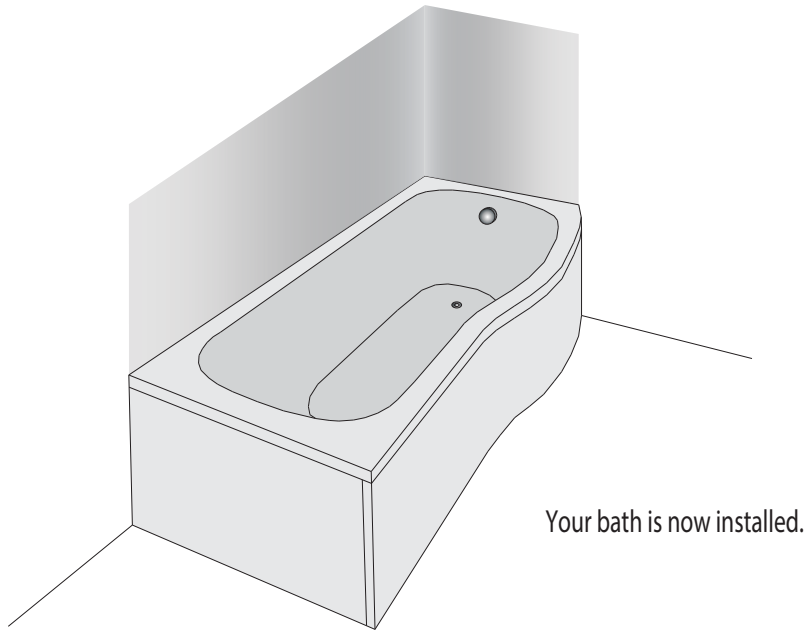


Figure 7.1

The Finished Bath



Your bath is now installed.

Guarantee

Peace of mind comes as standard with [bathrooms.com](http://www.bathrooms.com)

At [bathrooms.com](http://www.bathrooms.com) we understand how important purchasing a new bathroom is and we want to give you the peace of mind which lets you get on and enjoy your bathroom. That's why we offer a lifetime guarantee on all our products no matter how large or small.

Simply register your purchase within 30 days of placing your orders and we will replace your products if there is a product fault or issue with your order(s).

Terms and conditions apply. Available at:
<http://www.bathrooms.com/terms-of-use>

Thank you!

Thank you for buying this product from [bathrooms.com](http://www.bathrooms.com).

We hope you are fully satisfied with the product and service we provide.

If you need any further help or advice with your purchase, then please feel free to call our customer service team on the number below or alternatively you can email us at sales@bathrooms.com

www.bathrooms.com

Customer Service: 0845 833 4441

Technical Support: 01525 300 751

email: sales@bathrooms.com